

# 5MP LightHunter Intelligent Vandal-resistant Dome Network Camera

IPC3235SA-DZK



## Key Features



## Optics

- 1/2.7", Powered by lighthunter
- Smart IR, up to 50m (164 ft) IR distance
- Up to 120 dB Optical WDR (Wide Dynamic Range)

## Smart

- People Counting, support tripwire people counting and area people counting
- Smart intrusion prevention, support false alarm filtering, include Cross Line, Intrusion, Enter Area, Leave Area detection
- Exception Detection and Statistics, include Object Removed, Object Left Behind, Defocus, Scene Change

## Compression

- Ultra 265, H.265, H.264, MJPEG
- Five streams
- 2592\*1944@20fps in the main stream
- ROI (Region of Interest)

## Network

- ONVIF Conformance

## Structure

- Built-in Mic
- Built-in Speaker
- DC12V or PoE power supply
- Wide voltage range of  $\pm 25\%$  in DC
- Micro SD, up to 256 GB
- Alarm 1 in and 1 out, Audio 1 in and 1 out
- IP67 ingress protection
- IK10 vandal resistant

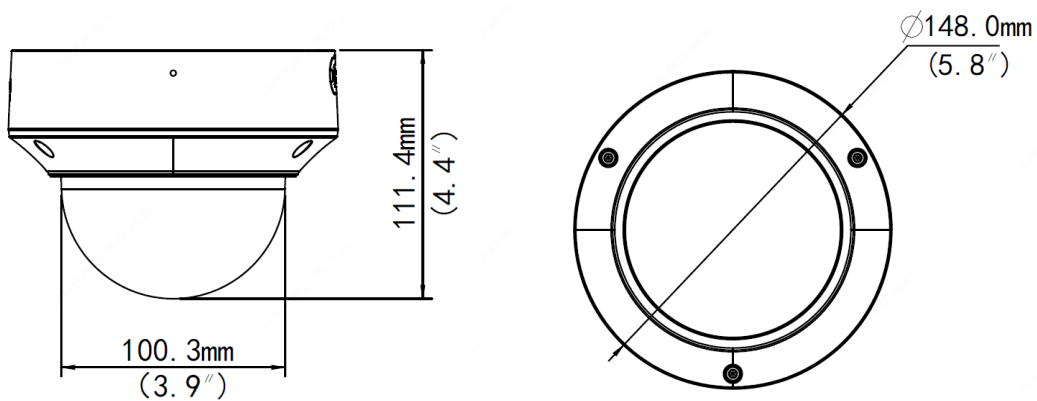
## Specifications

| IPC3235SA-DZK     |  |                |               |                 |              |
|-------------------|--|----------------|---------------|-----------------|--------------|
| <b>Camera</b>     |  |                |               |                 |              |
| Sensor            | 1/2.7", 5.0 megapixel, progressive scan, CMOS  |                |               |                 |              |
| Lens              | 2.7~13.5mm@F1.2, AF automatic focusing and motorized zoom lens   |                |               |                 |              |
| Iris              | Auto aperture  |                |               |                 |              |
| DORI Distance     | Lens (mm)  | Detect (m)     | Observe (m)   | Recognize (m)   | Identify (m) |
|                   | 2.7  | 70.9(232.5ft)  | 28.4(93.0ft)  | 14.2(46.5ft)    | 7.1(23.3ft)  |
|                   | 13.5   | 247.5(812.0ft) | 99.0(324.8ft) | 49.5(162.4ft)   | 24.8(81.2ft) |
| Field of View (H) | 26.8°~93.1°  |                |               |                 |              |
| Field of View (V) | 20.7°~66.0°  |                |               |                 |              |
| Field of View (D) | 31.6°~121.0°   |                |               |                 |              |
| Shutter           | Auto/Manual, 1 ~ 1/100000s   |                |               |                 |              |
| Adjustment angle  | Pan: 0°~355°   |                | Tilt: 0°~80°  | Rotate: 0°~355° |              |
| Min. Illumination | Colour:0.002ux (F1.2, AGC ON)<br>0 lux with IR   |                |               |                 |              |
| WDR               | 120dB  |                |               |                 |              |
| Day/Night         | IR-cut filter with auto switch (ICR)   |                |               |                 |              |
| IR Range          | Up to 50m (164 ft) IR range  |                |               |                 |              |
| Wavelength        | 850nm  |                |               |                 |              |
| IR On/Off Control | Auto/Manual  |                |               |                 |              |
| Defog             | Digital Defog  |                |               |                 |              |
| <b>Video</b>      |  |                |               |                 |              |
| Video Compression | Ultra 265, H.265, H.264, MJPEG   |                |               |                 |              |
| Frame Rate        | Main Stream: 5MP(2592*1944),Max 20fps; 4MP(2560*1440),Max 30fps;<br>Sub Stream: 2MP (1920*1080), Max 30fps;<br>Third Stream: D1 (720*576), Max 30fps;<br>Forth Stream: D1 (720*576), Max 30fps;<br>Fifth Stream: D1 (720*576), Max 30fps |                |               |                 |              |
| Video Bit Rate    | 128 Kbps~16 Mbps   |                |               |                 |              |
| ROI               | Supported  |                |               |                 |              |

|                                    |   |
|------------------------------------|---|
| Video stream                       | Five streams  |
| OSD                                | Up to 8 OSDs  |
| Privacy Mask                       | Up to 8 areas(8 blacks/4 mosaics+4 blacks)  |
| <b>Image</b>                       |   |
| White Balance                      | Auto/Outdoor/Fine Tune/Sodium Lamp/Locked/Auto2   |
| Digital noise reduction            | 2D/3D DNR   |
| Smart IR                           | Support   |
| Flip                               | Normal/Flip Vertical/Flip Horizontal/180°/90°Clockwise/90°Anti-clockwise  |
| HLC                                | Support   |
| BLC                                | Support   |
| <b>Smart</b>                       |   |
| Behavior Detection                 | Support false alarm filtering: Cross Line detection, Intrusion detection, Enter Area detection, Leave Area detection; Motion detection;                           |
| Exception Detection And Statistics | Object Removed, Object Left Behind, Defocus, Scene Change   |
| Statistical Analysis               | People counting, support tripwire people counting and area people counting  |
| General Function                   | Watermark, IP Address Filtering, Tampering Alarm, Alarm input, Alarm output, Access Policy, ARP Protection, RTSP Authentication, User Authentication              |
| <b>Audio</b>                       |   |
| Audio Compression                  | G.711U, G.711A  |
| Two-way Audio                      | Supported   |
| Suppression                        | Supported   |
| Sampling Rate                      | 8KHZ  |
| <b>Storage</b>                     |   |
| Edge Storage                       | Micro SD, up to 256 GB  |
| Network Storage                    | ANR,NAS(NFS)  |
| <b>Network</b>                     |   |
| Protocols                          | IPv4, IGMP, ICMP, ARP, TCP, UDP, DHCP, PPPoE, RTP, RTSP, RTCP, DNS, DDNS, NTP, FTP, UPnP, HTTP, HTTPS, SMTP, 802.1x, SNMP, QoS, RTMP                              |
| Compatible Integration             | ONVIF (Profile S, Profile G, Profile T), API  |
| Client                             | EZStation<br>EZLive<br>Ezview   |
| Web Browser                        | Plug-in required live view: IE 10 and above, Chrome 45 and above, Firefox 52 and above, Edge 79 and above   |
| <b>Interface</b>                   |   |
| Audio I/O                          | Audio cable   |
|                                    | 1 Input: impedance 35kΩ; amplitude 2V [p-p]   |
|                                    | 1 output: impedance 600Ω; amplitude 2V [p-p]  |
| Alarm I/O                          | 1/1   |
| Built-in Mic                       | Supported   |
| Built-in Speaker                   | Supported   |
| Network                            | 1 * RJ45 10M/100M Base-TX Ethernet  |
| <b>Certification</b>               |   |
| EMC                                | CE-EMC (EN 55032: 2015+A1:2020,EN 61000-3-3: 2013+A1: 2019,EN IEC 61000-3-2: 2019+A1: 2021,EN 55035: 2017+A11:2020)<br>FCC (FCC CFR 47 part15 B, ANSI C63.4-2014) |
| Safety                             | CE LVD (EN 62368-1:2014+A11:2017)<br>CB (IEC 62368-1:2014)<br>UL (UL 62368-1, 2nd Ed., Issue Date: 2014-12-01)  |

|                     |  |
|---------------------|--|
| Environment         | CE-RoHS (2011/65/EU;(EU)2015/863); WEEE (2012/19/EU); Reach (Regulation (EC) No 1907/2006) |
| Protection          | IP67 (IEC 60529:1989+AMD1:1999+AMD2:2013)<br>IK10 (IEC 62262:2002)                         |
| <b>General</b>      |  |
| Power               | DC12V(±25%), PoE(IEEE 802.3af)   |
|                     | Power consumption: Max 10.8W   |
|                     | Support overcurrent protection, Input short circuit protection                             |
| Dimensions (∅ x H)  | ∅148.0 x 111.4mm (∅5.8" x 4.4")  |
| Weight              | 0.93kg(2.05lb)   |
| Working Environment | -30°C ~ 60°C (-22°F ~ 140°F), Humidity: ≤95% RH (non-condensing)                           |
| Storage Environment | -40°C ~ 70°C (-40°F ~ 158°F), Humidity: ≤95% RH (non-condensing)                           |
| Surge protection    | 6KV  |

## Dimensions



## Accessories

TR-JB04-C-IN  
Junction Box



TR-JB07/WM04-B-IN  
Wall Mount



TR-WM04-IN  
Wall Mount



TR-FM152-A-IN  
In-ceiling Mount



TR-SM04-IN  
Electric-box Transfer Plate



TR-A01-IN  
Waterproof Joint



TR-UP06-IN  
Pole Mount



| Junction Mount          | Pole Mount                              |
|-------------------------|---|
| TR-JB04-C-IN+ TR-A01-IN | TR-JB07/WM04-B-IN,TR-WM04-IN+TR-UP06-IN |
|                         |   |
| In-ceiling Mount        | Electric-box Transfer plate             |
| TR-FM152-A-IN           | TR-SM04-IN                              |
|                         |   |

**Zhejiang Uniview Technologies Co., Ltd.**

Building No.10, Wanlun Science Park, Jiangling Road 88, Binjiang District, Hangzhou, Zhejiang, China (310051)

Email: [overseasbusiness@uniview.com](mailto:overseasbusiness@uniview.com); [globalsupport@uniview.com](mailto:globalsupport@uniview.com)

<http://www.uniview.com>

©2020-2022 Zhejiang Uniview Technologies Co., Ltd. All rights reserved.

\*Product specifications and availability are subject to change without notice