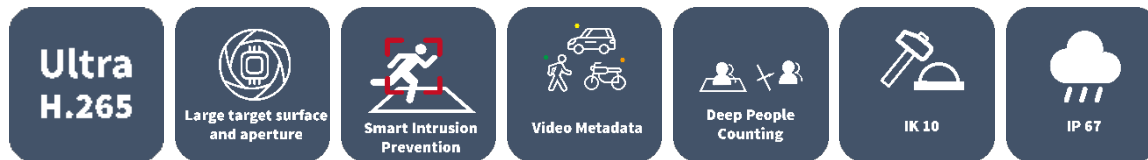


4MP LightHunter Intelligent Bullet Network Camera

IPC264EA-HDZK



Key Features



Optics

- 1/1.8", Powered by lighthunter
- SmartIR, up to 100m (328 ft) IR distance
- Up to 120 dB Optical WDR (Wide Dynamic Range)

Smart

- People Counting, support tripwire people counting and area people counting
- Smart intrusion Prevention, support false alarm filtering, include Cross Line, Intrusion, Enter Area, Leave Area detection
- Exception Detection and Statistics, include Object Removed, Object Left Behind, Defocus, Scene Change

Compression

- Ultra 265, H.265, H.264, MJPEG
- Five streams
- 2688*1520@60fps in the main stream
- ROI (Region of Interest)

Network

- ONVIF Conformance

Structure

- DC12V or AC24V or PoE power supply
- Wide voltage range of $\pm 25\%$ in AC, $-10\% \sim +25\%$ in DC
- Micro SD, up to 256 GB

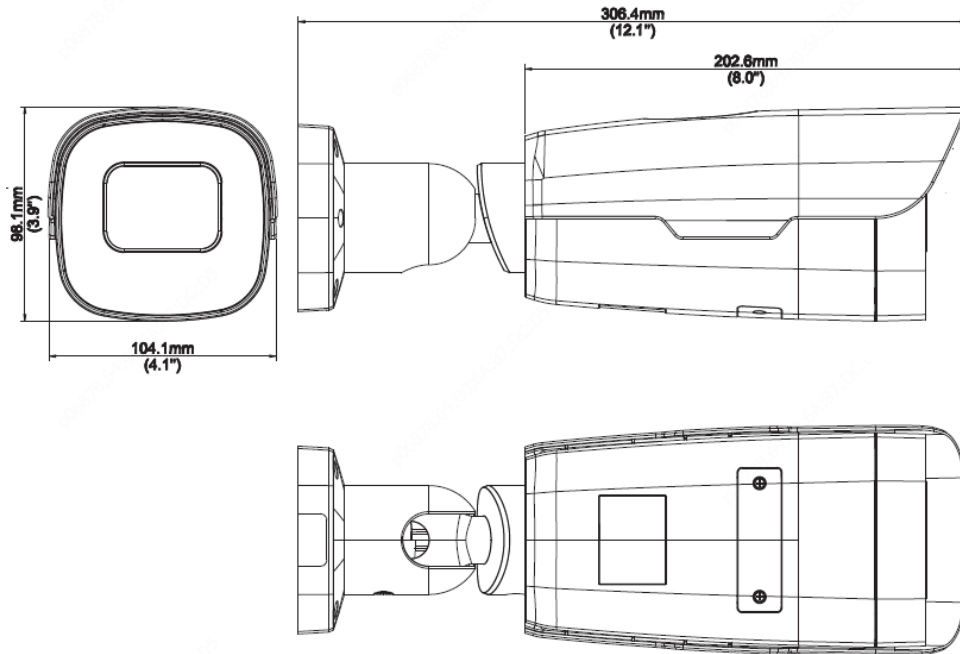
- Alarm 2 in and 1 out, Audio 1 in and 1 out
- IP67 ingress protection
- IK10 vandal resistant

Specifications

| IPC264EA-HDZK | | | | | |
|----------------------------|--|---------------|--------------|---------------|--------------|
| Camera | | | | | |
| Sensor | 1/1.8", 4.0 megapixel, progressive scan, CMOS | | | | |
| Lens | 2.8-12mm@F1.2 | | | | |
| Iris | Auto aperture | | | | |
| DORI Distance | Lens (mm) | Detect (m) | Observe (m) | Recognize (m) | Identify (m) |
| | 2.8 | 63.0(206.6ft) | 25.2(82.6ft) | 12.6(41.3ft) | 6.3(20.7ft) |
| | 12 | 270(885.6ft) | 108(354.2ft) | 54(177.1ft) | 27(88.6ft) |
| Field of View (H) | 42.6°~113.7° | | | | |
| Field of View (V) | 24.1°~59° | | | | |
| Field of View (D) | 48.9°~128.1° | | | | |
| Shutter | Auto/Manual, 1 ~ 1/100000s | | | | |
| Min. Illumination | Colour:0.0005lux (F1.2, AGC ON) 0 lux with IR | | | | |
| WDR | 120dB | | | | |
| Day/Night | IR-cut filter with auto switch (ICR) | | | | |
| S/N | >56dB | | | | |
| IR Range | Up to 100m (328 ft) IR range | | | | |
| Wavelength | 850nm | | | | |
| IR On/Off Control | Auto/Manual | | | | |
| Defog | Digital Defog | | | | |
| Video | | | | | |
| Video Compression | Ultra 265,H.265,H.264,MJPEG | | | | |
| Frame Rate | Main Stream: 4MP(2688*1520),Max 60fps; 4MP(2560*1440),Max 60fps; 2MP(1920*1080),Max 60fps; Sub Stream: 2MP (1920*1080), Max 60fps; Third Stream: D1 (720*576), Max 60fps; Forth Stream: D1 (720*576), Max 60fps; Fifth Stream: D1 (720*576), Max 60fps | | | | |
| Video Bit Rate | 128 Kbps~16 Mbps | | | | |
| ROI | Supported | | | | |
| Video stream | Five streams | | | | |
| OSD | Up to 8 OSDs | | | | |
| Privacy Mask | Up to 8 areas (8 blacks / 8 mosaics) | | | | |
| Image | | | | | |
| White Balance | Auto/Outdoor/Fine Tune/Sodium Lamp/Locked/Auto2 | | | | |
| Digital noise reduction | 2D/3D DNR | | | | |
| Smart IR | Support | | | | |
| Flip | Normal/Flip Vertical/Flip Horizontal/180°/90°Clockwise/90°Anti-clockwise | | | | |
| HLC | Support | | | | |
| BLC | Support | | | | |
| Smart | | | | | |
| Smart intrusion Prevention | Support false alarm filtering, Cross Line detection, Intrusion detection, Enter Area detection, Leave Area detection | | | | |

| | |
|------------------------------------|---|
| Exception Detection And Statistics | Object Removed, Object Left Behind, Defocus, Scene Change |
| Statistical Analysis | People counting, support tripwire people counting and area people counting |
| General Function | Watermark, IP Address Filtering, Tampering Alarm, Alarm input, Alarm output, Access Policy, ARP Protection, RTSP Authentication, User Authentication |
| Audio | |
| Audio Compression | G.711U,G.711A |
| Two way audio | Supported |
| Sampling Rate | 8KHZ |
| Storage | |
| Edge Storage | Micro SD, up to 256 GB |
| Network Storage | ANR,NAS(NFS) |
| Network | |
| Protocols | IPv4, IGMP, ICMP, ARP, TCP, UDP, DHCP, PPPoE, RTP, RTSP, RTCP, DNS, DDNS, NTP, FTP, UPnP, HTTP, HTTPS, SMTP, 802.1x, SNMP, QoS, RTMP |
| Compatible Integration | ONVIF (Profile S, Profile G, Profile T), API |
| Client | EZStation Ezview EZLive |
| Web Browser | Plug-in required live view: IE 10 and above, Chrome 45 and above, Firefox 52 and above, Edge 79 and above |
| Interface | |
| Audio I/O | Audio cable |
| | 1 Input: impedance 35kΩ; amplitude 2V [p-p] |
| | 1 output: impedance 600Ω; amplitude 2V [p-p] |
| Alarm I/O | 2/1 |
| Network | 1 x RJ45 10M/100M/1000M Base-TX Ethernet |
| Serial Port | 1 RS485 |
| Certifications | |
| EMC | CE-EMC (EN 55032: 2015+A1:2020,EN 61000-3-3: 2013+A1: 2019,EN IEC 61000-3-2: 2019+A1: 2021,EN 55035: 2017+A11:2020) FCC (FCC CFR 47 part15 B, ANSI C63.4-2014) |
| Safety | CE LVD (EN 62368-1:2014+A11:2017) CB (IEC 62368-1:2014) UL (UL 62368-1, 2nd Ed., Issue Date: 2014-12-01) |
| Environment | CE-RoHS (2011/65/EU;(EU)2015/863); WEEE (2012/19/EU); Reach (Regulation (EC) No 1907/2006) |
| Protection | IP67 (IEC 60529:1989+AMD1:1999+AMD2:2013) IK10 (IEC 62262:2002) |
| General | |
| Power | AC24V±25%, DC12V(-10%~+25%), PoE(IEEE802.3at) |
| | Power consumption: Max 13W |
| | Support overcurrent protection, Input short circuit protection |
| Dimensions (Ø x H) | Φ306.4x104.1x98.1mm(Φ12.1"x4.1"x3.9") |
| Net Weight | 1.60kg(3.52lb) |
| Material | Metal |
| Working Environment | -40°C ~60°C (-40°F ~ 140°F), Humidity: ≤95% RH (non-condensing) |
| Storage Environment | -40°C ~70°C (-40°F ~ 158°F), Humidity: ≤95% RH (non-condensing) |
| Surge protection | 6KV |

Dimensions



Accessories

TR-JB07-D-IN

Junction Box

TR-JB06-A-IN

Junction Box

TR-UP06-B-IN

Pole Mount

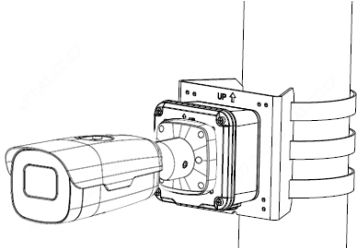
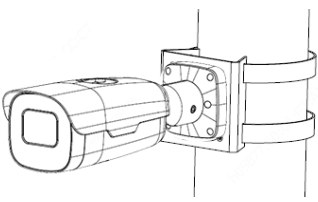
TR-UP06-C-IN

Pole Mount

TR-A01-IN

Waterproof Joint



| Junction Mount | Pole Mount |
|---|--|
| TR-JB07-D-IN(TR-JB06-A-IN)+ TR-UP06-C-IN | TR-UP06-B-IN |
|  |  |

Zhejiang Uniview Technologies Co., Ltd.

Building No.10, Wanlun Science Park, Jiangling Road 88, Binjiang District, Hangzhou, Zhejiang, China (310051)

Email: overseasbusiness@uniview.com; globalsupport@uniview.com

<http://www.uniview.com>

©2020-2022 Zhejiang Uniview Technologies Co., Ltd. All rights reserved.

*Product specifications and availability are subject to change without notice.