

## NVR-E2 Series



### Key Features

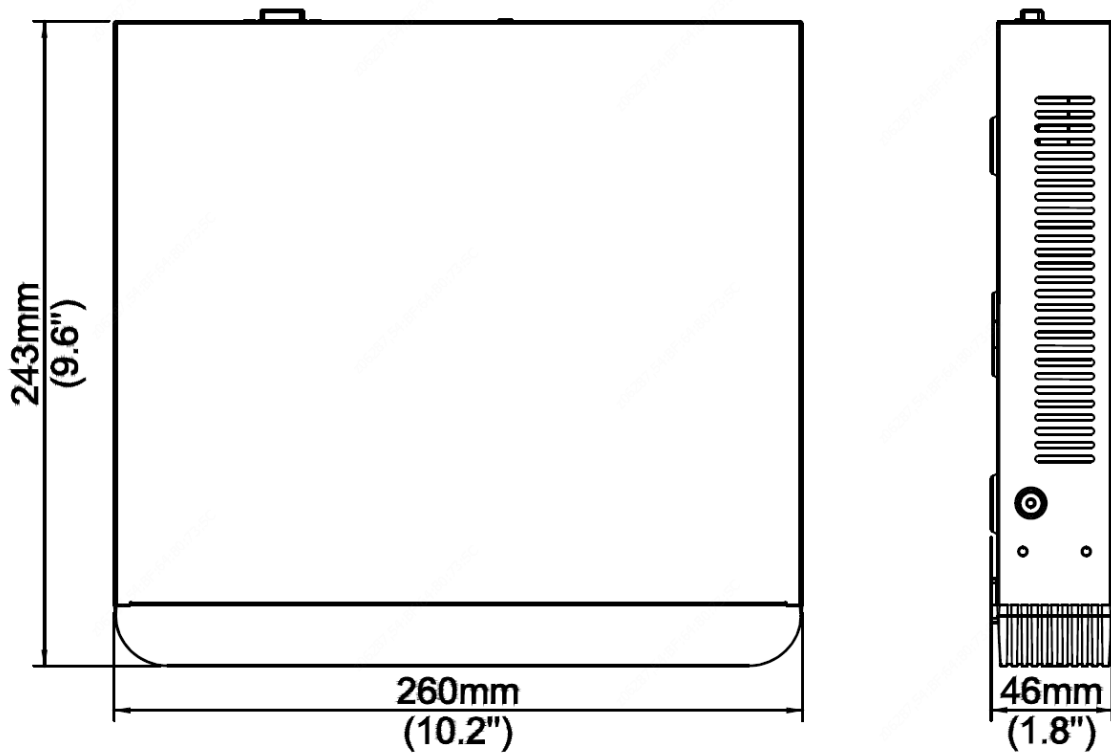
- Support Ultra 265/H.265/H.264 video formats
- 4/10-channel input
- Third-party IP cameras supported with ONVIF conformance: Profile S, Profile G, Profile T
- Support 1-ch HDMI, 1-ch VGA
- HDMI and VGA simultaneous output
- Up to 8MP resolution recording
- 1 SATA HDD, up to 6TB
- Support cloud upgrade

### Specifications

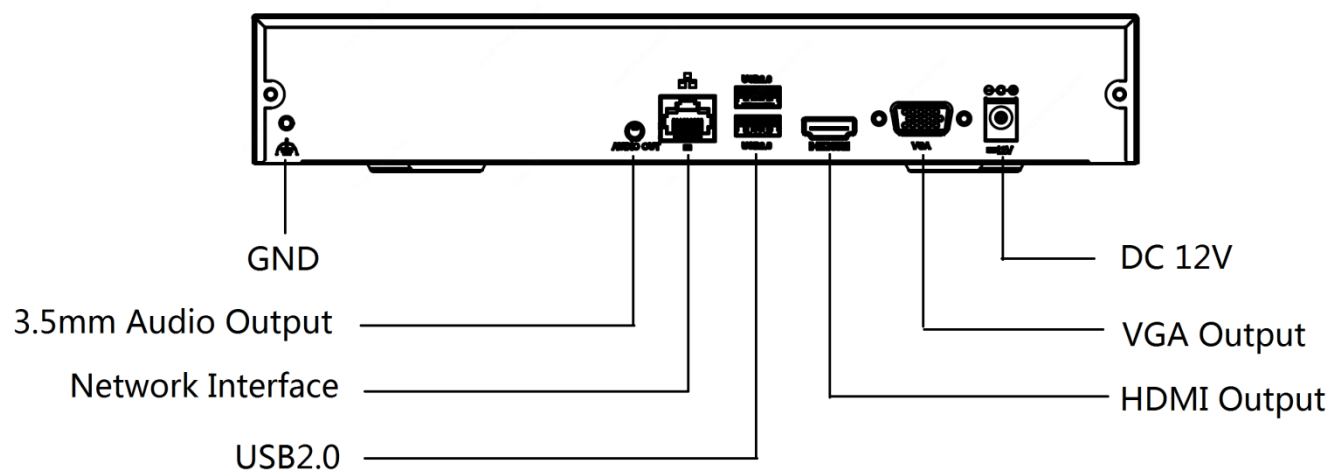
Model	NVR-104E2	NVR-110E2
Video/Audio Input		
IP Video Input	4-ch	10-ch
Network		
Incoming Bandwidth	64Mbps	
Outgoing Bandwidth	32Mbps	
Remote Users	128	
Protocols	P2P, UPnP, DHCP	
Video/Audio Output		
HDMI/VGA Output	HDMI: 3840X2160/30Hz, 1920x1080p/60Hz, 1920x1080p/50Hz, 1600x1200/60Hz, 1280x1024/60Hz, 1280x720/60Hz, 1024x768/60Hz VGA: 1920x1080p/60Hz, 1920x1080p/50Hz, 1600x1200/60Hz, 1280x1024/60Hz, 1280x720/60Hz, 1024x768/60Hz	
Recording Resolution	8MP/5MP/4MP/3MP/1080P/960P/720P/960H/D1/2CIF/CIF/QCIF	
Audio Output	1-ch, 3.5mm	

Synchronous Playback	4-ch	10-ch
没有 Corridor Mode Screen	3/4	3/4/5/7/9/10
<b>Decoding</b>		
Decoding format	Ultra 265/H.265/H.264	
Liveview/Playback	8MP/5MP/4MP/3MP/1080P/960P/720P/960H/D1/2CIF/CIF/QCIF	
Capability	1 x 8MP@30, 1 x 5MP@30, 2 x 4MP@30, 4 x 3MP@25, 4 x 1080p@30, 8 x 720p@30, 10 x D1@30	
<b>Hard Disk</b>		
SATA	1 SATA interface	
Capacity	up to 6TB for each disk	
<b>External Interface</b>		
Network Interface	1 RJ45 10M/100M self-adaptive Ethernet Interface	
USB Interface	Rear panel: 2 x USB2.0	
<b>General</b>		
Power Supply	12V DC Power Consumption: ≤3 W (without HDD)	
Working Environment	-10°C ~ +55°C (+14°F ~ +131°F), Humidity ≤ 90% RH (non-condensing)	
Dimensions (W×D×H)	260mm × 243mm × 46mm (10.2" × 9.6" × 1.8")	
Weight (without HDD)	≤1kg (2.2lb)	

## Dimensions



## Rear Panel



[www.uniview.com/uniarch](http://www.uniview.com/uniarch)

©2021 Zhejiang Uniview Technologies Co., Ltd. All rights reserved.

\*Product specifications and availability are subject to change without notice.