

Network Video Recorder

NVR501-B Series



Key Features

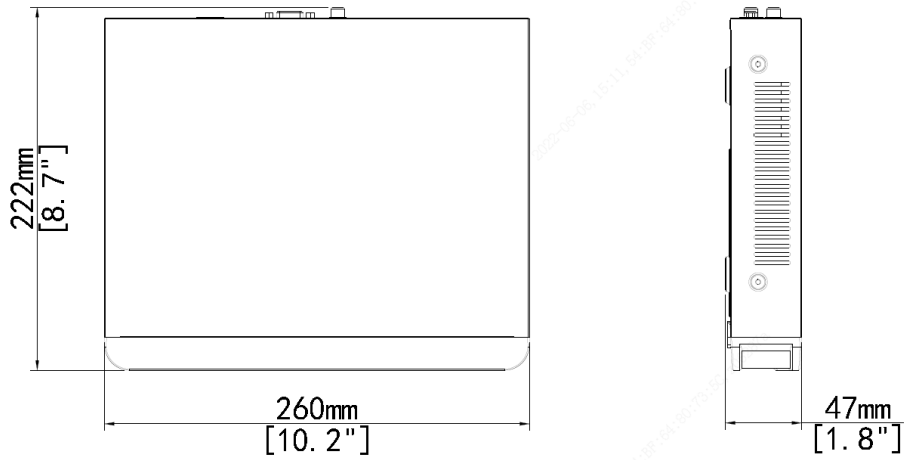
- Support Ultra 265/H.265/H.264 video formats
- 4/8/16-channel input
- Support mainstream cameras of ONVIF conformance(Profile S, Profile G, Profile T) and RTSP protocols
- HDMI and VGA simultaneous output
- Up to 16 Megapixels resolution recording
- 1 SATA HDD, up to 8TB for each HDD
- ANR technology to enhance the storage reliability when the network is disconnected
- Support cloud upgrade

Specifications

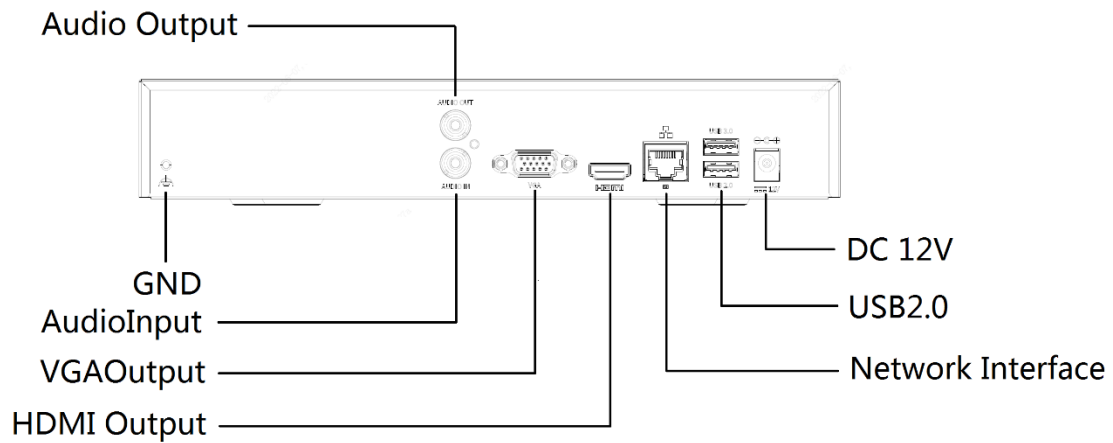
Model	NVR501-04B	NVR501-08B	NVR501-16B
Video/Audio Input			
IP Video Input	4-ch	8-ch	16-ch
Audio Input	1-ch, RCA		
Network			
Incoming bandwidth	80Mbps		
Outgoing bandwidth	64Mbps		
Remote Users	128		
Protocols	TCP/IP, P2P, UPnP, NTP, DHCP, PPPoE, HTTP, HTTPS, DNS, DDNS, SNMP, SMTP		
Browser	IE(IE10/11) for Windows Firefox (version 52.0 and above) for Windows Chrome(version 45 and above) for Windows Edge(version 79 and above) for Windows		
Video/Audio Output			
HDMI/VGA Output	HDMI: 4K (3840x2160)@30, 1920x1080p@60, 1920x1080p@50, 1600x1200@60, 1280x1024@60, 1280x720@60, 1024x768@60 VGA: 1920x1080p@60, 1920x1080p@50, 1280x1024@60, 1600x1200@60, 1280x720@60, 1024x768@60		
Recording Resolution	16MP/12MP/8MP/6MP/5MP/4MP/3MP/1080p/960p/720p/D1/2CIF/CIF		
Audio Output	1-ch, RCA		
Two-way Audio	1-ch, RCA(Using the audio input and output)		
Audio Compression	G.711A, G.711U		
Synchronous Playback	4-ch	8-ch	16-ch
Liveview display	1/4	1/4/6/8/9	1/4/6/8/9/16
Corridor Mode Screen	3/4	3/4/5/7/9	3/4/5/7/9/10/12/16
Snapshot			
FTP/Schedule/Event Snapshot	4-ch snapshot, up to D1 resolution		
Decoding			
Decoding format	Ultra 265/H.265/H.264		
Live view/Playback	16MP/12MP/8MP/6MP/5MP/4MP/3MP/1080p/960p/720p/D1/2CIF/CIF		
Capability	Ultra 265/H.265: 2 x 16MP@30, 2 x 12MP@30, 4 x 4K@30, 6 x 5MP@30, 8 x 4MP@30, 10 x 3MP@30, 16 x 1080P@30 H.264: 2 x 16MP(4800*2688)@30, 2 x 12MP@30, 2 x 4K@30, 4 x 5MP@30, 6 x 4MP@30, 8 x 3MP@30, 14 x 1080P@30, 16 x 720P@30		
Hard Disk			

SATA	1 SATA interfaces	
Capacity	Up to 8TB for each disk (The maximum HDD capacity varies with environment temperature)	
Smart		
VCA Detection by Camera	Intrusion Detection, Cross Line Detection, Enter Area, Leave Area, Defocus Detection, Scene Change Detection, Object Left Behind, Object Removed, Auto Tracking, UMD(Ultra Motion Detection)	
VCA Search	Motor Vehicle Search, Non-Motor Vehicle Search, Human Body Search, General Search, People Counting Report	
People Counting	People Flow Counting, Crowd Density Monitoring	
Smart Intrusion Prevention (SIP), UMD by Camera	Total 4-ch	Total 8-ch
General Alarm		
General Alarm	Motion, Tampering, Human Body Detection, Video Loss, Alarm Input, Audio Detection	
Alert Alarm	IP Conflict, Network Disconnected, Disk Offline , Disk Abnormal, Illegal Access, Hard Disk Space Low, Hard Disk Full, Recording/Snapshot Abnormal	
External Interface		
Network Interface	1 RJ-45 10M/100M self-adaptive Ethernet Interface	
USB Interface	Rear panel: 1 x USB2.0, 1 x USB3.0	
RS232	NA	
RS485	NA	
Alarm In	NA	
Alarm Out	NA	
General		
Power Supply	12V DC Power Consumption: ≤ 6W (without HDD)	
Working Environment	-10°C~+ 55°C (+14°F~+131°F), Humidity ≤ 90% RH (non-condensing)	
Dimensions (W×D×H)	260mm × 222mm × 47mm (10.2" × 8.7" × 1.8")	
Weight (without HDD)	≤ 0.98Kg (2.16lb)	
Certification		
Certification	CE, FCC, UL, RoHS, WEEE	
CE	EN 55032: 2015, EN 61000-3-3: 2013, EN IEC 61000-3-2: 2019, EN 55035: 2017	
FCC	Part15 Subpart B, ANSI C63.4	

Dimensions



Rear Panel



Zhejiang Uniview Technologies Co., Ltd.

Building No.10, Wanlun Science Park, Jiangling Road 88, Binjiang District, Hangzhou, Zhejiang, China

Email: overseasbusiness@uniview.com; globalsupport@uniview.com

<http://www.uniview.com>

© 2022-2023 Zhejiang Uniview Technologies Co., Ltd. All rights reserved.

* Product specifications and availability are subject to change without notice.